

Clean World - Better Life

WASTE CONTAINERS



www.ottokorea.com



OTTO KOREA CO., LTD.

About our Business

As an enterprise specializing in environmental products, we develop, produce and supply garbage collection bins and food garbage collection systems. OTTO KOREA Co., Ltd. is doing its part to make our life more convenient and cleaner based thanks to its ongoing technical development and accumulated know-how.

The business of our company entails the following:

1. 2-wheel and 4-wheel containers

Our company is focusing its efforts on the production of environmental plastic products such as 2-wheel and 4-wheel garbage bins, recycled article separation and collection bins, etc., and is widely recognized for the superiority of products in overseas markets.

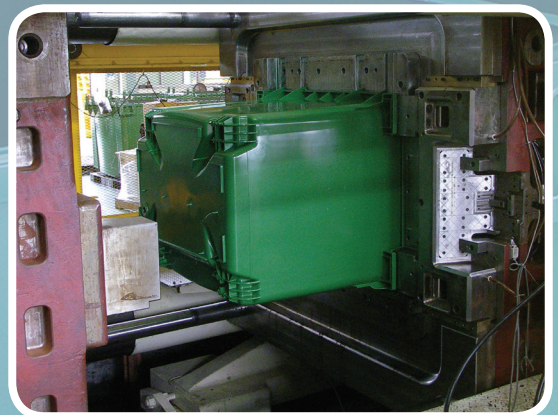
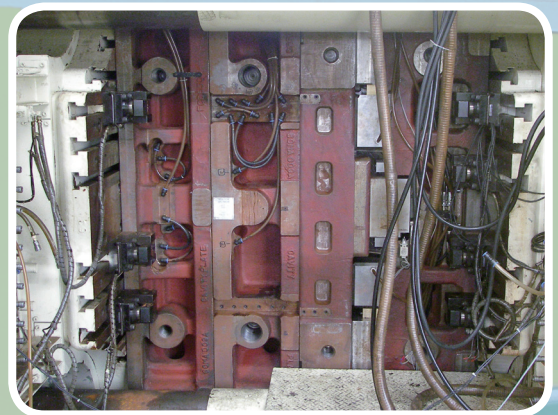
2. Food garbage collection bin

Our company is producing and supplying a range of food garbage collection bins from home collection bins, which reduce the volume of garbage, to business and base collection bins.

In particular, we are greatly contributing to the budget reduction of local governments and the improvement of the environment by developing an 120ℓ bin that automatically opens and closes, an automatically compressed collection bin, a volume-rate collection system for apartments and houses, etc.

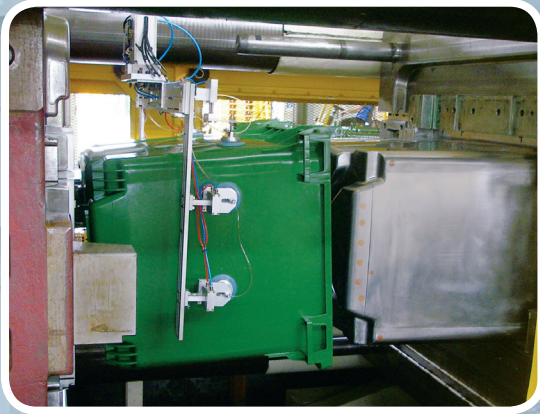
3. Environmental product and car export

We are exporting plastic bins to West Europe, Asia, Australia, New Zealand etc. and exporting environmental vehicles and components to each country around the world.



CONTENTS

PAGE	ITEM
4	MGB-1100R
5	MGB-1100F
6	MGB-660
7	MGB-240N
8	MGB-120
9	MGB-120SP
10	MGB-120WP
11	MGB-60WP



MGB-1100R

4 Wheel Waste Container
1100 Liter with Round Lid



Product Features

- International Standard (according to EN 840)
- Deeper combs ensures optimum accommodation on the lifting device
- Robust arms facilitates the use of garbage collection vehicle
- Dual effect in safety and odor protection using V-lip
- Automatic lid opening while collecting waste with vehicle
- High resistance to UV radiation
- Edge prevents rainwater from penetrating
- Smoothly designed interior ensures optimum emptying and easy cleaning
- Standard colors : Green
Special colors are available on request

Wheels

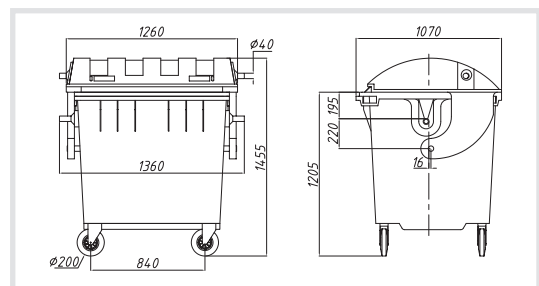
- Solid rubber tires
- Diameter : 200mm
- Wheel foot breaking system (2 units)
- High stability
- Efficient corrosion protection

Application Scope

- Apartment complex
- Construction sites & Outlet malls
- Public places & City parks

Specification

- Material : HDPE



- Dimension(unit : mm)

Width	Length	Height	Net Weight (kg)	Volume (liters)
1,360	1,070	1,455	65±2%	1,100

MGB-1100F

4 Wheel Waste Container
1100 Liter with Flat Lid



Product Features

- International Standard (Certified according to EN 840)
- Interior & exterior surface by hygienic design
- High resistance to UV radiation
- Highly durable up to 30 degree below zero and more
- Smoothly designed interior ensures optimum emptying and easy cleaning
- Edge prevents rainwater from penetrating
- Deeper combs ensure optimum accommodation by the lifting device
- Standard colors : Green
Special colors are available on request

Wheels

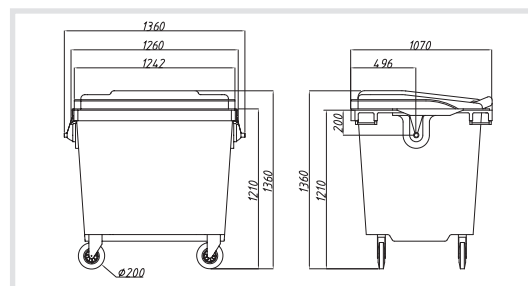
- Solid rubber tires
- Diameter : 200mm
- Wheel rotation of 360 degrees
- Wheel foot breaking system (2 units)
- High stability
- Efficient corrosion protection

Application Scope

- Apartment complex
- Recycling collection sites
- Construction sites & outlet malls

Specification

- Material : HDPE



- Dimension(unit : mm)

Width	Length	Height	Net Weight (kg)	Volume (liters)
1,360	1,070	1,360	59±2%	1,100

MGB-660

4 Wheel Waste Container
660 Liter with Lid



Product Features

- International Standard (according to EN 840)
- Interior & exterior surface by hygienic design
- High resistance to UV radiation
- Highly durable up to 30 degree below zero and more
- Smoothly designed interior ensures optimum emptying and easy cleaning
- Edge prevents rainwater from penetrating
- Deeper combs ensure optimum accommodation by the lifting device
- Standard colors : Body-Green, Gray
Lid-Green, Orange
Special colors are available on request

Wheels

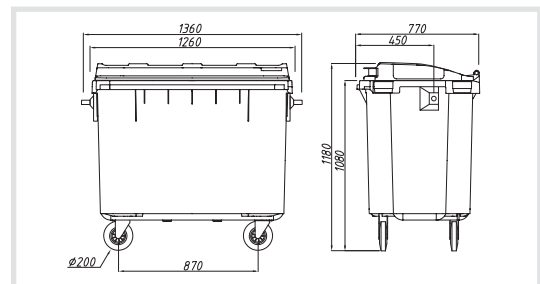
- Solid rubber tires
- Diameter : 200mm
- Wheel rotation of 360 degrees
- Wheel breaking devices (2 units)
- High stability
- Efficient corrosion protection

Application Scope

- Apartment complex
- Recycling collection sites
- Construction sites & outlet malls

Specification

- Material : HDPE



- Dimension(unit : mm)

Width	Length	Height	Net Weight (kg)	Volume (liters)
1,360	770	1,180	40±2%	660

MGB-240N

Wheeled Waste Container
240 Liter with Lid



Product Features

- Easy handling to carry around
- Smooth lid for opening & closing
- High resistance to UV radiation, color alteration
- Edge prevents rainwater from penetrating
- Easily maneuverable for transport and discharge
- Special colors for waste separation
- A variety of choices for user's personal purpose.
- Standard colors : Body-Gray / Lid-Green, Blue, Yellow and Orange.

Wheels

- Solid rubber tires
- Diameter : 200mm
- High stability
- Efficient corrosion protection

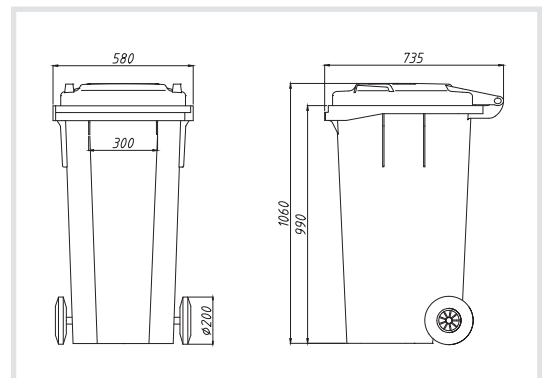


Application Scope

- Recyclable waste for household
- General garbage for public place

Specification

- Material : HDPE



- Dimension(unit : mm)

Width	Length	Height	Net Weight (kg)	Volume (liters)
580	735	1,060	13,9±2%	240

www.ottokorea.com

MGB-120

Wheeled Waste Container
120 Liter with Lid



Easy to handle with
foothold

Product Features

- Easy handling to carry around
- Smooth lid for opening & closing
- High resistance to UV radiation, color alteration
- Edge prevents rainwater from penetrating
- Easily maneuverable for transport and discharge
- Special colors for waste separation
- A variety of choices for user's personal purpose.
- Standard colors : Body-Gray /
Lid-Green, Blue, Yellow and Orange.
Special colors are available on request

Wheels

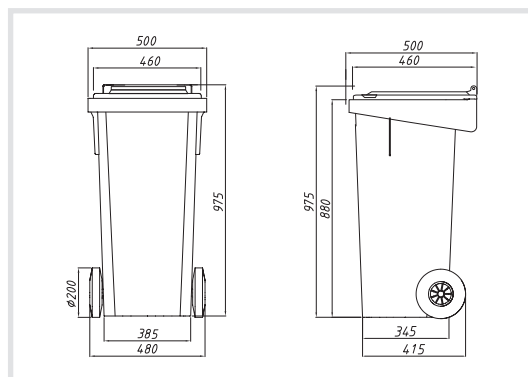
- Solid rubber tires
- Diameter : 200mm
- High stability
- Efficient corrosion protection

Application Scope

- Food waste for public restaurant
- Recyclable waste for household
- General garbage for public place

Specification

- Material : HDPE



- Dimension(unit : mm)

Width	Length	Height	Net Weight (kg)	Volume (liters)
500	500	975	10,2±2%	120



Clean World - Better Life

MGB-120SP

Wheeled Waste Container
120 Liter with a Foot Pedal



Product Features

- Easy & smoothly opening the lid with a foot pedal.
- Hygienic exhaust the food waste because the lid can be opened without using hands
- No splashing of dirt because the lid closes slowly and gently with the use of a damper
- Durable components of the foot pedal device with special reinforced plastic
- Lids can be completely opened and turned over backward with the hands, causing no trouble during collection by vehicles
- Edge prevents rainwater from penetrating
- Easily maneuverable for transport and discharge
- Standard colors : Body-Gray / Lid-Green, Blue, Yellow and Orange.
Special colors are available on request

Wheels

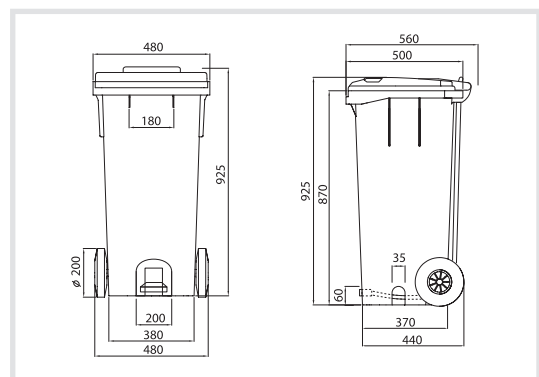
- Solid rubber tires
- Diameter : 200mm
- High stability
- Efficient corrosion protection

Application Scope

- Food waste for public restaurant
- Recyclable waste for household
- General garbage for public place

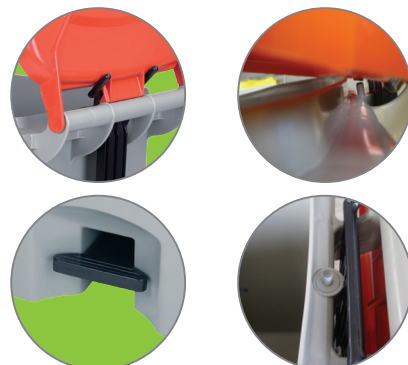
Specification

- Material : HDPE



- Dimension(unit : mm)

Width	Length	Height	Net Weight (kg)	Volume (liters)
480	560	925	13,6±2%	120



www.ottokorea.com

MGB-120WP

Wheeled Waste Container
120 Liter with a Foot Pedal



Product Features

- Easy & smoothly opening the lid with a foot pedal.
- Hygienic exhaust the food waste because the lid can be opened without using hands
- No splashing of dirt because the lid closes slowly and gently with an air-cushion
- The smooth, rounded surfaces of the bin, allow easy cleaning, hygiene and prevent odors to derive from residuals.
- The robust design of all 4 corners, provides high pressure and shock resistance on all sides.
- Edge prevents rainwater from penetrating
- Easily maneuverable for transport and discharge
- Standard colors : Body-Gray / Lid-Green, Blue, Yellow and Orange.
Special colors are available on request

Wheels

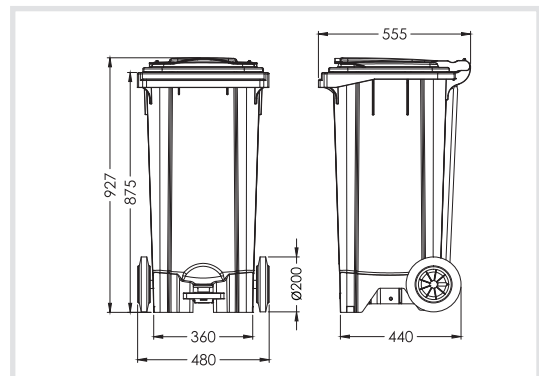
- Solid rubber tires
- Diameter : 200mm
- High stability
- Addittional front wheels(optional)

Application Scope

- Food waste for public restaurant
- Recyclable waste for household
- General garbage for public place

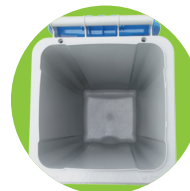
Specification

- Material : HDPE



- Dimension(unit : mm)

Width	Length	Height	Net Weight (kg)	Volume (liters)
480	555	927	13±2%	120



Smooth surfaces



Robust design



Additional front wheels(optional)

Clean World - Better Life

MGB-60WP

Wheeled Waste Container
60 Liter with a foot pedal



Product Features

- Easy & smoothly opening the lid with a foot pedal.
- Hygienic exhaust the food waste because the lid can be opened without using hands
- No splashing of dirt because the lid closes slowly and gently with an air-cushion
- The smooth, rounded surfaces of the bin, allow easy cleaning, hygiene and prevent odors to derive from residuals.
- Edge prevents rainwater from penetrating
- Easily maneuverable for transport and discharge
- Standard colors : Body-Gray / Lid-Green, Blue and Orange.
Special colors are available on request

Wheels

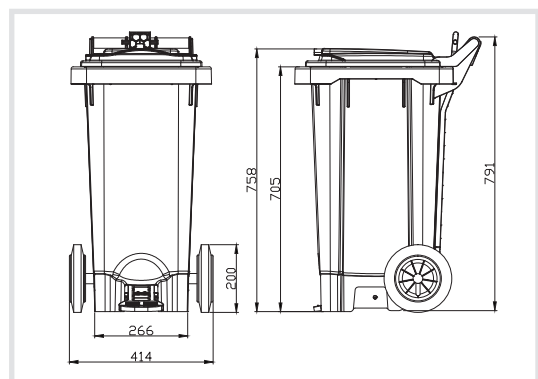
- Solid rubber tires
- Diameter : 165mm
- High stability
- Efficient corrosion protection

Application Scope

- Food garbage bin
- Recyclable waste for household
- General garbage for public place

Specification

- Material : HDPE



- Dimension(unit : mm)

Width	Length	Height	Net Weight (kg)	Volume (liters)
404	534	758	8±2%	60



Smooth surfaces



Robust design

www.ottokorea.com

Clean World - Better Life



OTTO KOREA CO., LTD.

Add : 58, 128gil, Goyang, Wolgot, Gimpo, Gyeonggi, Korea.

Tel : +82-31-989-4466 / Fax : +82-31-981-7766

E-mail : biz@ottokorea.com

www.ottokorea.com